

AIR RELEASE VALVE



ORDERING INFORMATION

Product Series

VAM	Mini type Pressure Relief Valve
VAV	Pressure and Vacuum Relief Valve
VAR	Bunging Pressure Device
VAT	Double Seat Air Vent Valve
VAP	Mini Type Safety Valve
VAS	Safty Valve

Body Material

4	SS304
6	SS316L

Item No.

01	Model No.01
02	Model No.02
03	Model No.03

Seal Material

1	Silicon
2	EPDM
3	Viton
4	NBR

Connection

W	Weld
C	Clamp
M	Male Thead
F	Female Thread
11	Weld/Weld
22	Clamp/Clamp
33	Male/Male
44	Liner/Liner
55	Flange/Flange

Standard

1	3A
2	DIN 11850
3	SMS
1	BSPT Thread
2	NPT Thread
3	BSP Thread

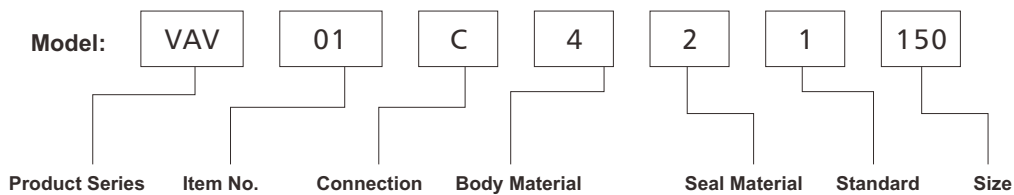
Operation
*For VAS & VAP only

Manual Operated	
M1	Manual Operated
SS Pneumatic Actuator Operated	
NC	Normally Close
NO	Normally Open
AA	Air to Air

Size

DIN 11850	
025	DN25
032	DN32
040	DN40
...	...
100	DN100
3A	
100	1"
150	1.5"
200	2"
...	...
400	4"

Ordering Information:



Example: Pressure and Vacuum Relief Valve, Fixed pressure setted, Clamp connection, SS304, EPDM seal, 3A standard, 1.5"

AIR RELEASE VALVE

Mini Type Pressure Relief Valve
VAM01 Series
Material: SS304
Size: 1/4", 1/2"
Working Pressure: 0.2-3Bar
Temperature range:
-10°C to 120°C



Vacuum & Pressure Relief Valve
VAV01 Series
Material: SS304
Size: 1"-2.5" or DN20-DN80
Working Pressure: 0.2 to 3 Bar
Vacuum: 0.1 to 0.5 Bar
Temperature range:
-10°C to 120°C



Fixed Pressure Set Design

Adjustable Vacuum & Pressure Relief Valve
VAV02 Series
Material: SS304
Size: 1"-2.5" or DN25-DN65
Working Pressure: 0.1-2.5Bar
Temperature range:
-10°C to 120°C



Adjustable Vacuum & Pressure Relief Valve
VAV03 Series
Material: SS304
Size: 1"-2.5" or DN25-DN65
Working Pressure: 0.1-2.5 Bar
Temperature range:
-10°C to 120°C



Air & Vacuum Relief Valve
VAV04 Series
Material: SS304
Size: 3"-4" or DN80-DN100
Working Pressure: 1-3Bar



Double Seat Air Vent Valve
VAT01 Series
Material: SS304
Size: 1.5" or DN40
Working Pressure: 10Bar



Bunging Pressure Device
VAR03 Series
Material: SS304
Size: 1"-1.5" or DN25-DN40
Working Pressure: 0.2-2.2Bar



Bunging Pressure Device
VAR02 Series
Material: SS304
Size: 1"-1.5" or DN25-DN40
Working Pressure: 0.2-2.2Bar



Safety Valve
VAS01 Series
Material: SS304 or SS316L
Size: 1"-4" or DN25-DN100
Working Pressure: 1 to 8 Bar
Temperature range:
-10°C to 120°C



Mini Type Safety Valve
VAP01 Series
Material: SS304 or SS316L
Size: 1/2"-3/4" or DN15-DN20
Working Pressure: 1 to 6 Bar



MINI TYPE PRESSURE RELIEF VALVE

VAM Series

CONCEPT

VAM series air release valves are used on pressure vessel to prevent pressure vessels exploding from over pressure. It is widely used in food processing, brewery, beverage and pharmaceutical industry.

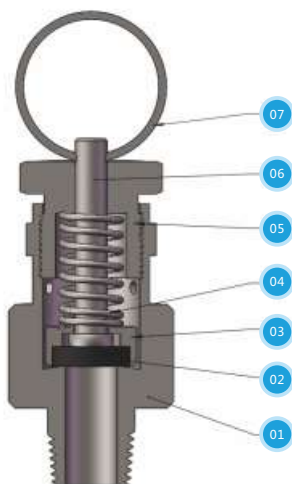


WORKING PRINCIPLE

The valve will open automatically when tank pressure exceeds the preset pressure and close automatically after pressure dropping. Draw ring design for pressure quick releasing.

TECHNICAL DATA

Material: SS304
 Seal Rings: EPDM per FDA 177.2600
 Pressure Range: 0.2-3Bar
 Temperature range: -10°C to 120°C
 Size: 1/4", 1/2"
 Connection: NPT/BSP Male



Item	Name	Material	QTY
1	Valve Body	SS304	1
2	Seat Seal	EPDM	1
3	Valve Seat	SS304	1
4	Spring	SS304	1
5	Adjusting Nut	SS304	1
6	Valve Stem	SS304	1
7	Draw Ring	SS304	1

Model No	Size	G	d1	d3	H
VAM01M422025	1/4"	NPT 1/4"	8.5	22	50
VAM01M422050	1/2"	NPT 1/2"	8.5	22	50

*Model No for EPDM seal and NPT thread

TANK PRESSURE AND VACUUM RELIEF VALVE VAV01 Series



CONCEPT

Tank Pressure and Vacuum Relief Valve/Vent is designed to protect stainless tank working in safety. From pressure side, when the valve is normally closed and tank pressure exceeds the rated pressure on the outside of valve, the valve automatically opens and vents air to atmosphere. From vacuum side, when the valve is normally closed and there is vacuum in tank, the vacuum piston inside the valve opens automatically and draws air into the tank. In return, this keeps the pressure inside and outside the tank balanced.

DESIGN AND FEATURES

Pressure Range: 0.2 to 3 bar

Vacuum: 0.1 to 0.5 bar

MATERIAL

Valve body: SS304

Gasket: EPDM, VITON per FDA 177.2600

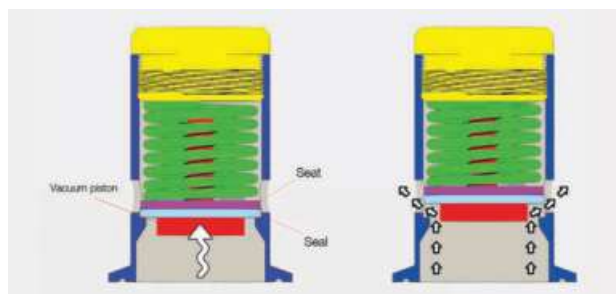
TECHNICAL DATA

Max. Temperature: 121°C

Connection: Clamp, Thread

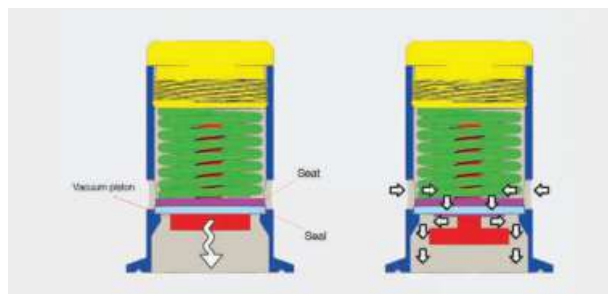
Size: 1" -2.5" or DN20-DN80

Excessive Pressure

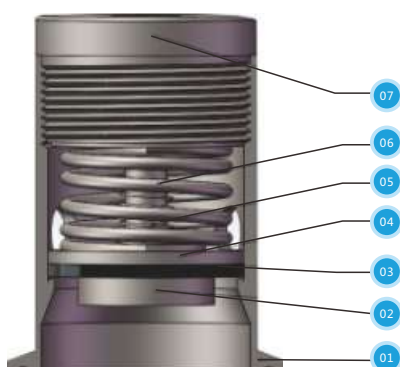


Normally closed, but when the tank pressure exceeds the rated pressure, the valve automatically opens to vent air out.

Vacuum



Normally closed, but when there is a vacuum in the tank, the vacuum piston opens automatically, drawing air into the tank. Thus, keeping pressure balanced inside and outside the tank.



Item	Name	Material	QTY
1	Valve Body	SS304	1
2	Valve Stem	SS304	1
3	Seat Seal	EPDM	1
4	Valve Seat	SS304	1
5	Spring(Vacuum)	SS304	1
6	Spring(Prssure)	SS304	1
7	Nut(Valve Cover)	SS304	1

Model No	Size	A	B	D	C	Max. Pressure
VAV01C421100	1"	25	50.5	30.5	49	2Bar
VAV01C421150	1.5"	35	50.5	42	72	3Bar
VAV01C421200	2"	47	64	51	85	6Bar
VAV01C421250	2.5"	59	77.5	64	90	2.5Bar
VAV01C422020	DN20	25	34	30.5	49	2Bar
VAV01C422025	DN25	25	50.5	30.5	49	2Bar
VAV01C422040	DN40	35	50.5	42	72	3Bar
VAV01C422050	DN50	47	64	51	85	6Bar
VAV01C422065	DN65	59	91	64	90	2.5Bar
VAV01C422080	DN80	83	105	88	135	3.5Bar

ADJUSTABLE VACUUM & PRESSURE RELIEF VALVE VAV02 Series

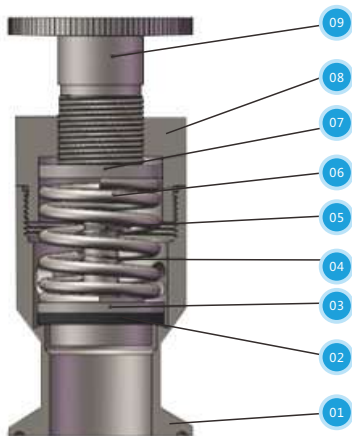
CONCEPT

VAV02 Series adjustable vacuum & pressure relief valve that can be calibrated by turning nut position from 0.1 bar to 2.5 bar to meet tank pressure rating. Sanitary design and construction for beer tank.



WORKING PRINCIPLE

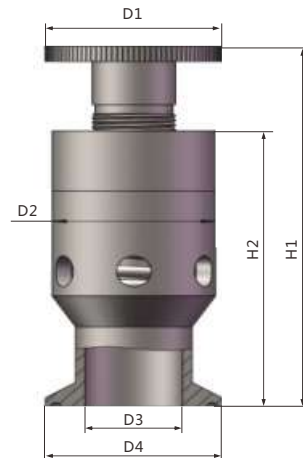
It will open when pressure over than presetted pressure and close after pressure dropping. Turn knob to set and adjust pressure.



Item	Name	Material	QTY
1	Valve Body	SS304	1
2	Seat Seal	EPDM	1
3	Valve Stem	SS304	1
4	Spring(Vacuum)	SS304	1
5	Snap Ring	SS304	1
6	Spring(Prssure)	SS304	1
7	Washer	SS304	1
8	Adjusting Nut	SS304	1
9	Valve Shaft	SS304	1

TECHNICAL DATA

Material: SS304
 Seal Rings: EPDM per FDA 177.2600
 Pressure Range: 0.1-2.5Bar
 Vacuum: 0.1-0.5Bar
 Temperature range: -10°C to 120°C



Model No	Size	D1	D2	D3	D4	H1	H2
VAV02C421150	1.5"	51	47	29	50.5	115	90
VAV02C421200	2"	51	47	29	64	115	90

ADJUSTABLE VACUUM & PRESSURE RELIEF VALVE

VAV03 Series

CONCEPT

VAV03 Series adjustable vacuum & pressure relief valve that can be calibrated by turning nut position from 0.1 bar to 2.5 bar to meet tank pressure rating. Sanitary design and construction for beer tank.

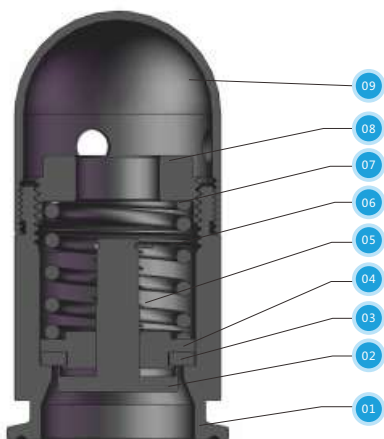


WORKING PRINCIPLE

It will open when pressure over than presetted pressure and close after pressure dropping.

TECHNICAL DATA

Material: SS304
 Seal Rings: EPDM per FDA 177.2600
 Pressure Range: 0.1-2.5Bar
 Vacuum: 0.1-0.5Bar
 Temperature range: -10°C to 120°C



Item	Name	Material	QTY
1	Valve Body	SS304	1
2	Seat Seal	EPDM	1
3	Valve Stem	SS304	1
4	Spring(Vacuum)	SS304	1
5	Snap Ring	SS304	1
6	Spring(Prssure)	SS304	1
7	Washer	SS304	1
8	Adjusting Nut	SS304	1
9	Valve Shaft	SS304	1

Model No	Size	D	d	H
VAV03C421150	1.5"	50.5	48	98
VAV03C421200	2"	64	56	110

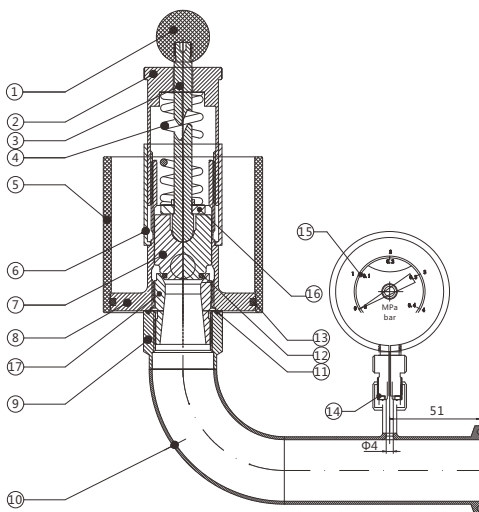
BUNGING PRESSURE DEVICE VAR Series



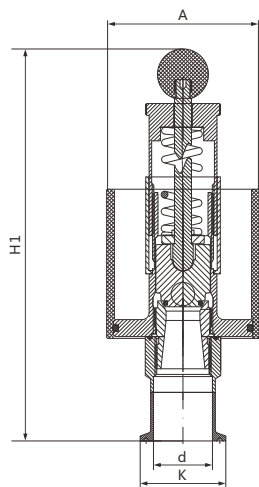
CONCEPT

VAR series valves with spring return are continuously adjustable. Exactly adjustable to the desired opening pressure, the valves are closed and opened very sensitively with low differential pressure.

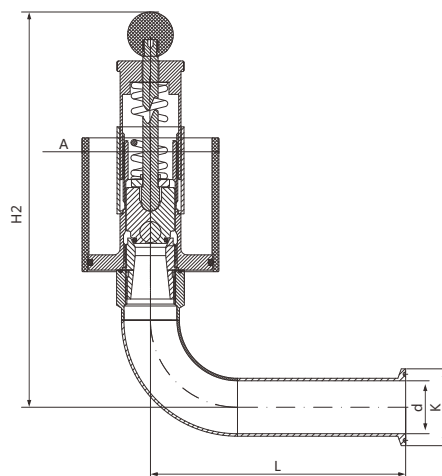
VAR valves are available both in open design (free blowing-off of CO₂) and in closed design with pipe connection. The closed design enables to collect the excess CO₂.



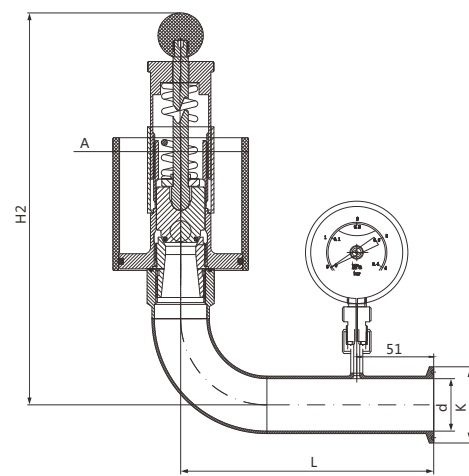
Item	Name	Material	QTY
1	Pull Ball	ABS	1
2	Adjustable Nut	SS304	1
3	Valve Stem	SS304	1
4	Spring	SS304	1
5	Glass Cylinder	Organic Glass	1
6	Pressure Setting Sleeve	SS304	1
7	Valve Pug	SS304/SS316L	1
8	Valve Body	SS304/SS316L	1
9	Adaptor	SS304/SS316L	1
10	Elbow	SS304/SS316L	1
11	O-Ring	EPDM	1
12	O-Ring	EPDM	1
13	O-Ring	EPDM	1
14	Connection for Pressure Gauge	SS304/SS316L	1
15	Pressure Gauge	SS304	1
16	Spring Mat	SS304	1
17	Valve Seat	SS304/SS316L	1



VAR01



VAR02



VAR02 with Pressure Gauge

Model No	Size	D	H1	H2	K	d	L
VAR01C421100	1"	90	230	/	50.5	22.4	168
VAR01C421125	1 1/4"	90	230	/	50.5	28.8	168
VAR01C421150	1 1/2"	90	230	/	50.5	35.1	168
VAR01C422025	DN25	90	230	/	50.5	25	168
VAR01C422032	DN32	90	230	/	50.5	31	168
VAR01C422040	DN40	90	230	/	50.5	37	168
VAR02C421100	1"	90	/	251	50.5	22.4	168
VAR02C421125	1 1/4"	90	/	251	50.5	28.8	168
VAR02C421150	1 1/2"	90	/	251	50.5	35.1	168
VAR02C422025	DN25	90	/	251	50.5	25	168
VAR02C422032	DN32	90	/	251	50.5	31	168
VAR02C422040	DN40	90	/	251	50.5	37	168

SAFETY VALVE VAP & VAS Series

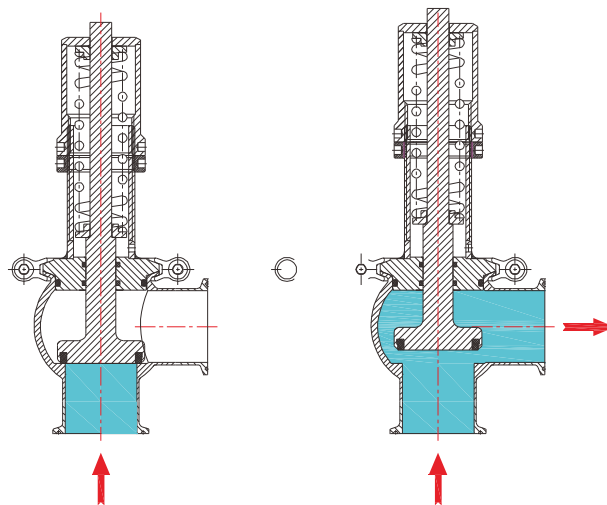


CONCEPT

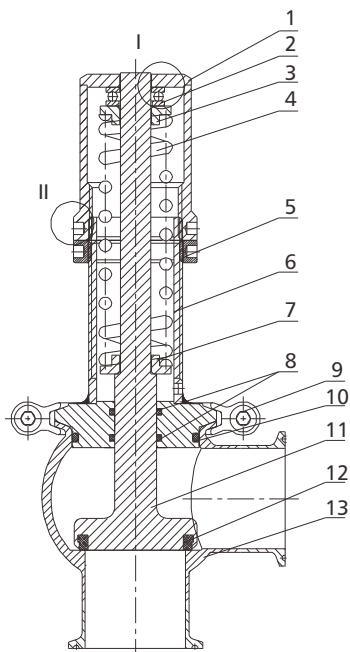
VAS series sanitary stainless steel safety valve, also known as "pressure relief valve", is used to control over pressurization in a process piping system. When the line pressure exceeds the limit set for the safety valve, the valve plug will lift and release the pressure through the side port. The valve will remain open until the line pressure decreases to a value lower than the set value.

TECHNICAL DATA

Normal Size:	1"-4" or DN25-DN100
Material:	304 or 316L for wetted parts
Seal material:	EPDM, NBR, FPM per FDA 177.2600
Set Pressure:	1 to 8 bar
Max. Temperature:	121°C (EPDM)
Standard connection:	Tri-Clamp, Liner&Nut, Weld or per request

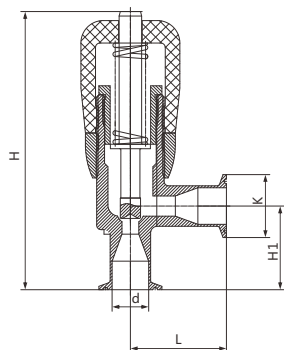


When the line pressure exceeds the limit set for the safety valve, the valve plug will lift and release the pressure through the side port.



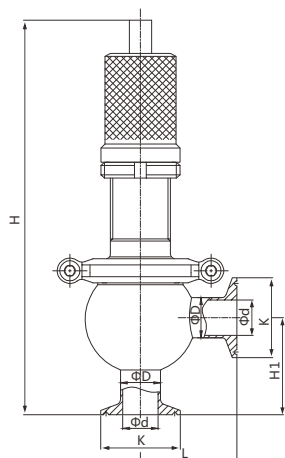
Item	Name	Material	QTY
1	Cap	304	1
2	Bearing	GCr15	0/1
3	Upper Gasket	POM/304	1
4	Spring	65Mn/304	1
5	Locking Nut	304	1
6	Adjustive Seat	304/316L	1
7	Lower Gasket	304	1
8	O-Seal	Silicon *	1/2
9	Clamp	304	1
10	O-Seal	Silicon *	1
11	Valve Seat	304/316L	1
12	Gasket	Silicon *	1
13	Valve Body	304/316L	1

* Gasket Material Option: Silicon, EPDM, FPM



CLAMP MINI TYPE SAFETY VALVE VAP

Model No	Size	d	K	H	H1	L
VAP0122M1X21050	1/2"	9.5	25.2	129	30	35
VAP0122M1X21075	3/4"	15.75	25.2	129	30	35
VAP0122M1X22015	DN15	15	34	129	30	35
VAP0122M1X22020	DN20	19	34	129	30	35



CLAMP SANITARY SAFETY VALVE VAS

Model No	Size	d	D	K	H	H1	L
VAS0122M1X21100	1"	22.4	25.4	50.5	227	61	61
VAS0122M1X21125	1 1/4"	28.8	31.8	50.5	227	61	61
VAS0122M1X21150	1 1/2"	35.1	38.1	50.5	227	58	59
VAS0122M1X21200	2"	47.8	50.8	64	270	66	66
VAS0122M1X21250	2 1/2"	59.5	63.5	77.5	318	77	77
VAS0122M1X21300	3"	72.2	76.2	91	351	97	97
VAS0122M1X21400	4"	97.6	101.6	119	399	127	135
VAS0122M1X22025	DN25	25	28	50.5	227	61	61
VAS0122M1X22032	DN32	31	34	50.5	227	61	61
VAS0122M1X22040	DN40	37	40	50.5	227	58	59
VAS0122M1X22050	DN50	49	52	64	270	66	66
VAS0122M1X22065	DN65	66	70	91	351	97	97
VAS0122M1X22080	DN80	81	85	106	362	97	107
VAS0122M1X22100	DN100	100	104	119	399	127	135